

Amana[®]

Self-Cleaning Slide-in Electric Range Owner's Manual

ARRS6550*

ARTS6650*

* Additional alphanumeric characters representing other models in series may follow each model number.

Please Read Manual Before Operating Range

Important

Save for local electrical inspector's use.

Installer

Leave this manual and other literature with consumer for future use.

Customer

Keep these instructions for future reference. If appliance changes ownership, be sure this manual accompanies range.

Para recibir un manual en español gratis, envíe por correo o por fax su nombre, dirección, y número de modelo a:

Amana Appliances
Consumer Communications/Spanish Manual
2800 220th Trail
PO Box 8901
Amana, Iowa 52204-0001
USA
Número de fax 1-319-522-8158

Contents

Model Identification	2
Parts and Accessories	2
Service	2
Important Safety Information	3
ALL APPLIANCES	3
SURFACE COOKING UNITS	3
OVENS	4
SELF-CLEANING OVENS	4
GLASS/CERAMIC COOKING SURFACES	4
VENTILATION HOODS	4
In Case of Fire	4
Precautions	4
Installation	5
Packing Material	5
Range Location	5
Countertop Opening	5
Countertop Front Edge	6
Irregular Cabinet and Countertop Heights	6
Minimum Clearances to Combustible Surfaces	6
Line Voltage Requirements	7
Power Supply Location	7
Power Cord Requirements	7
Range Terminal Block	7
Installing 3-Wire Power Cord	8
Installing 4-Wire Power Cord	8
Converting 3-Wire to 4-Wire Power Cord	9
Anti-tip Bracket Installation	9
Place and Level Range	10
Removal and Replacement of Range	10
Operation	10
Operating Surface Elements	10
Dual Radiant Element	10
Cooking Utensils	11
Electronic Oven Control and Oven Light Switch	12
Setting Clock	14
Setting Minute Timer	14
Prepare for Bake, Timed Bake, and Delayed Bake ..	14
Baking	15
Timed Baking	15
Delayed Baking	15
Adjusting Oven Temperature	15
Broiling	16
Prepare for Self-clean and	
Delayed Self-clean Cycle	16
Self-cleaning	17
Delayed Self-clean Cycle	17
Cooking Guide	18
Baking Guide	18
Poultry Roasting Guide	18
Beef and Pork Roasting Guide	19
Broiling Guide	19

Care and Cleaning	20
Removing Oven Door	20
Replacing Oven Light	20
Removing Storage Drawer	21
Opening Rangetop	21
Cleaning	22
Cleaning Smoothtop Range Top	23
Before Calling Service	24
Warranty	25
Quick Reference Instructions	28

Model Identification

Complete enclosed registration card and promptly return. If registration card is missing, call Consumer Affairs Department at 1-800-843-0304 inside U.S.A. 319-622-5511 outside U.S.A. When contacting Amana, provide product information located on rating plate. Rating plate is located on the oven frame. Record the following:

Model Number: _____
Manufacturing Number: _____
Serial or S/N Number: _____
Date of purchase: _____
Dealer's name and address: _____

Parts and Accessories

Purchase replacement parts and additional accessories (e.g., refrigerator shelves, dryer racks, or cooktop modules) over the phone. To order accessories for your Amana product, call 1-800-843-0304 inside U.S.A. or 319-622-5511 outside U.S.A.

Service

Keep a copy of sales receipt for future reference or in case warranty service is required. Any questions or to locate an authorized servicer, call 1-800-NAT-LSVC (1-800-628-5782) inside U.S.A. 319-622-5511 outside U.S.A. Warranty service must be performed by an authorized servicer. Amana, also recommends contacting an authorized servicer if service is required after warranty expires.

Important Safety Information



WARNING

To reduce the risk of the appliance tipping, it must be secured by a properly installed anti-tip bracket(s). To make sure bracket has been installed properly, remove the storage drawer and look under the range with a flashlight. Bracket(s) must be engaged in the rear corner of the range.



- ALL RANGES CAN TIP
- INJURY TO PERSONS COULD RESULT



- INSTALL ANTI-TIP BRACKET(S) PACKED WITH RANGE
- SEE INSTALLATION INSTRUCTIONS



WARNING

To avoid personal injury, do not sit, stand or lean on oven door or oven drawer.



WARNING

To avoid risk of electrical shock, personal injury, or death, make sure your range has been properly grounded and always disconnect it from main power supply before any servicing.



WARNING

This appliance contains or produces a chemical or chemicals which can cause death or serious illness and which are known to the state of California to cause cancer, birth defects or other reproductive harm. To reduce the risk from substances in the fuel or from fuel combustion make sure this appliance is installed, operated, and maintained according to the instructions in this booklet.

ALL APPLIANCES

1. Proper Installation—Be sure your appliance is properly installed and grounded by a qualified technician.
2. Never Use Your Appliance for Warming or Heating the Room.
3. Do Not Leave Children Alone—Children should not be alone or unattended in the area where the appliance is in use. They should never be allowed to sit or stand on any part of the appliance.
4. Wear Appropriate Apparel—Loose fitting or hanging garments should never be worn while using appliance.
5. User Servicing—Do not repair or replace any part of the appliance unless specifically recommended in the manual. All other servicing should be referred to a qualified technician.
6. Storage in or on Appliance—Flammable materials should not be stored in an oven or near surface units.
7. Do Not Use Water on Grease Fires—Smother fire or flame, or use dry chemical or foam-type extinguisher.
8. Use Only Dry Potholders—Moist or damp potholders on hot surfaces may result in burns from steam. Do not let potholder touch elements. Do not use a towel or other bulky cloth.

SURFACE COOKING UNITS

1. Use Proper Pan Size—This appliance is equipped with one or more surface units of different size. Select utensils having flat bottoms large enough to cover the surface unit heating element. The use of undersized utensils will expose a portion of the heating element to direct contact and may result in ignition of clothing. Proper relationship of utensil to burner will also improve efficiency.
2. Never Leave Surface Units Unattended—Boilover causes smoking and greasy spillovers that may ignite.
3. Make Sure Reflector Pans or Drip Bowls Are in Place—Absence of these pans or bowls during cooking may subject wiring or components underneath to damage.
4. Protective Liners—Do not use aluminum foil to line drip bowls or oven bottom. Improper installation of these liners may result in a risk of electrical shock or fire.
5. Glazed Cooking Utensils—Only certain types of glass, ceramic, earthenware, or other glazed utensils are suitable for rangetop service without breaking due to sudden change in temperature.

6. Utensil Handles Should be Turned Inward and Not Extend Over Adjacent Surface Units—To reduce the risk of burns, ignition of flammable materials, and spillage due to unintentional contact with the utensil, the handle of a utensil should be positioned so that it is turned inward, and does not extend over adjacent surface units.
7. Do Not Soak Removable Heating Elements—Heating elements should never be immersed in water.

OVENS

1. Use Care When Opening Door—Let hot air or steam escape before removing or replacing food.
2. Do Not Heat Unopened Food Containers—Build-up of pressure may cause container to burst and result in injury.
3. Keep Oven Vent Ducts Unobstructed.
4. Placement of Oven Racks—Always place oven racks in desired location while oven is cool. If rack is removed while oven is hot, do not let potholder contact hot heating element in oven.

SELF-CLEANING OVENS

1. Do Not Clean Door Gasket—The door gasket is essential for a good seal. Care should be taken not to rub, damage, or move the gasket.
2. Do Not Use Oven Cleaners—No commercial oven cleaner or oven liner protective coating of any kind should be used in or around any part of the liner.
3. Clean Only Parts Listed in Manual.
4. Before Self-Cleaning the Oven—Remove broiler pan, oven racks, and other utensils.
5. Remove all items from rangetop and backguard.

GLASS/CERAMIC COOKING SURFACES

1. Do Not Cook on Broken Cooktop - If cooktop should break, cleaning solutions and spillovers may penetrate the broken cooktop and create a risk of electrical shock. Contact a qualified technician immediately.
2. Clean Cooktop With Caution - If a wet sponge or cloth is used to wipe spills on a hot cooking area, be careful to avoid a steam burn. Some cleaners can produce noxious fumes if applied to a hot surface.

VENTILATION HOODS

1. Clean Ventilation Hoods Frequently—Grease should not be allowed to accumulate on hood or filter.
2. When flaming foods under hood, turn fan off. The fan, if operating, may spread the flame.

IN CASE OF FIRE

Fires can occur as a result of over cooking or excessive grease. Though a fire is unlikely, if one occurs, proceed as follows:

Surface Element Fire

1. Smother the fire with a nonflammable lid or baking soda, or use a Class ABC or BC extinguisher. Not water. Not salt. Not flour.
2. As soon as it is safe to do so, turn the surface controls to "OFF".

Oven Fires

1. If you see smoke from your oven, do not open oven door.
2. Turn oven control to "OFF".
3. As an added precaution, turn off power at main circuit breaker or fuse box.
4. Turn on vent to remove smoke.
5. Allow food or grease to burn itself out in oven. Do not open oven door.
6. If smoke and fire persist, call fire department.
7. If there is any damage to components, call an authorized servicer before using range.

PRECAUTIONS

- Do not cook food directly on rangetop surface, always use cookware.
- Do not mix household cleaning products. Chemical mixtures may interact with objectionable or even hazardous results.
- Do not put plastic items on warm cooking areas. They may stick and melt.
- Do not slide rough metal objects across rangetop surface. Scratching or metal marking can result.
- Do not use cookware with rough bottoms. They may scratch smoothtop surface. Glass and ceramic cookware can be used on coil elements.
- Do not use damp sponge or dishcloth to clean range top. A film of soil-laden detergent water may collect on range top. If this should happen, Amana Cleaning Conditioning Cream removes this type of stain.
- Do not leave fat heating unless you remain nearby. Fat can ignite if overheated by spilling onto hot surfaces.
- Do not allow pots to boil dry as this can cause damage to cooking surface and pan.
- Do not use rangetop surface as a cutting board.
- Do not use range for storage or as a display counter.

Installation

Packing Material

Remove protective packing materials from range. Tape residue can be cleaned with a soft cloth and alcohol.

Range Location

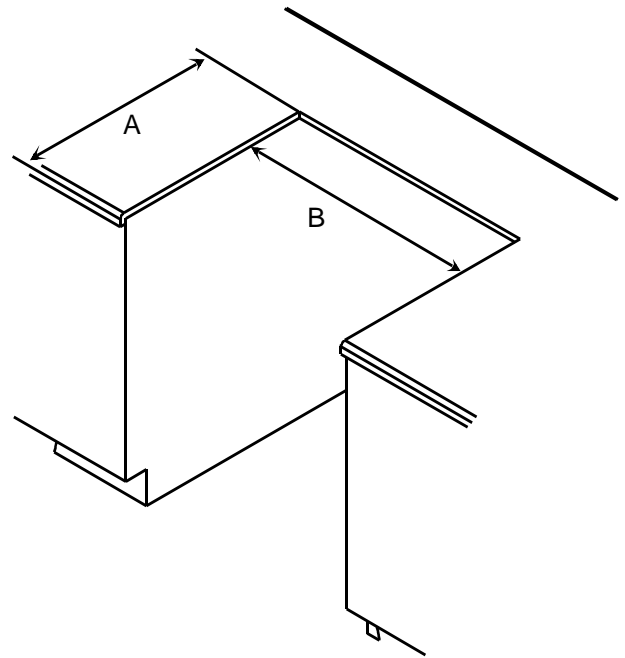
Underwriter's Laboratories Inc. specifies that range can be installed flush against right and left base cabinets, and rear vertical wall. Range can also be installed flush against left or right vertical wall extending above 36 inch standard countertop height.



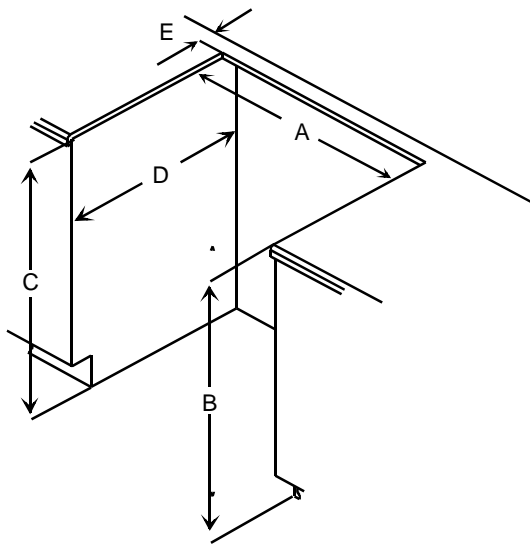
WARNING

To avoid risk of burns or fire by reaching over heated surface units, cabinet storage space located above range should be avoided. If cabinet storage is to be provided, the risk can be reduced by installing a range hood that projects horizontally a minimum of 5 inches beyond the bottom of the cabinets.

Countertop Opening



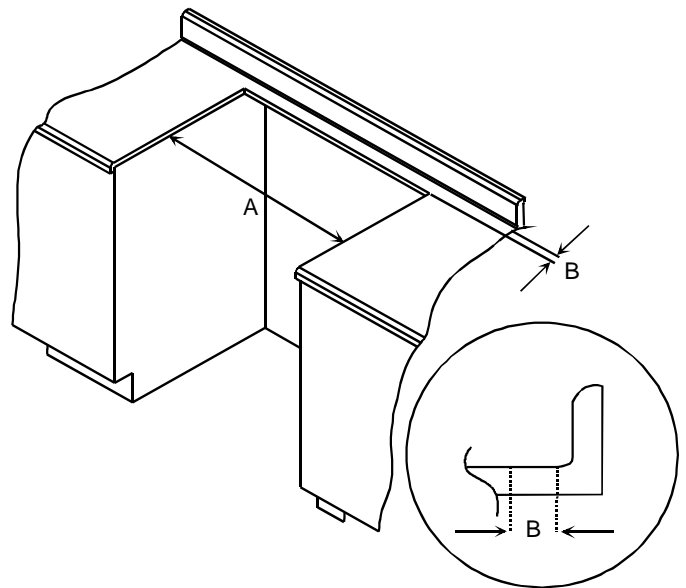
A—25 inches
B— $30\frac{1}{8}$ to $30\frac{1}{4}$ inches



A— $30\frac{1}{8}$ to $30\frac{1}{4}$ inches
B—36 inches
C—35 inches
D—23 inches
E— $\frac{1}{2}$ inch minimum

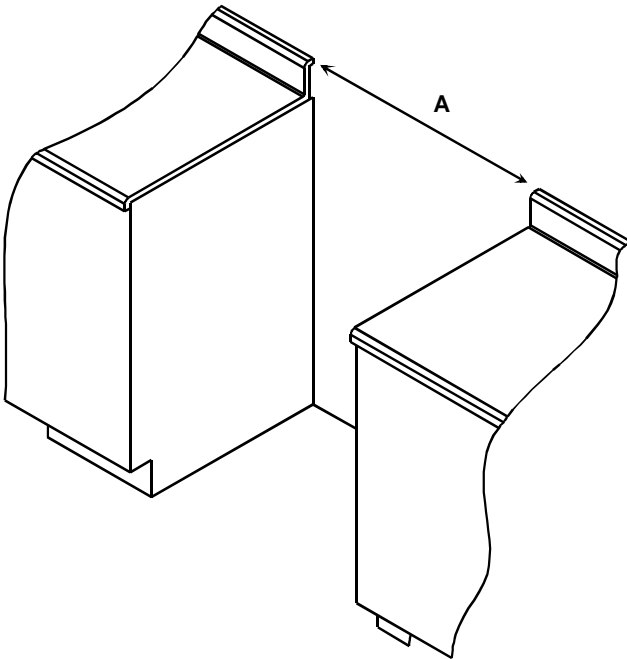
Standard Cabinet and Countertop Height and Depth

Island Installation



A— $30\frac{1}{8}$ to $30\frac{1}{4}$ inches
B— $\frac{1}{2}$ inch minimum starting on horizontal plane

Countertop with Backsplash

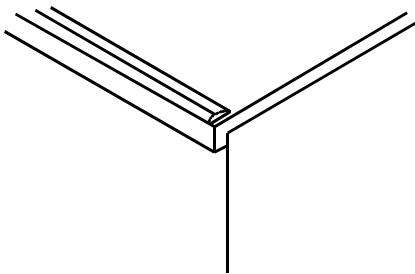


A—30¹/₈ to 30¹/₄ inches
 Backguard kit AXF100W/E/L is available. Contact an authorized Amana dealer to purchase backguard kit.

Countertop without Backsplash

Countertop Front Edge

Countertop front edge may require cutting to fit 31 inch range top. Allow for 1/2 inch overlap on each side.



Countertop Front Edge

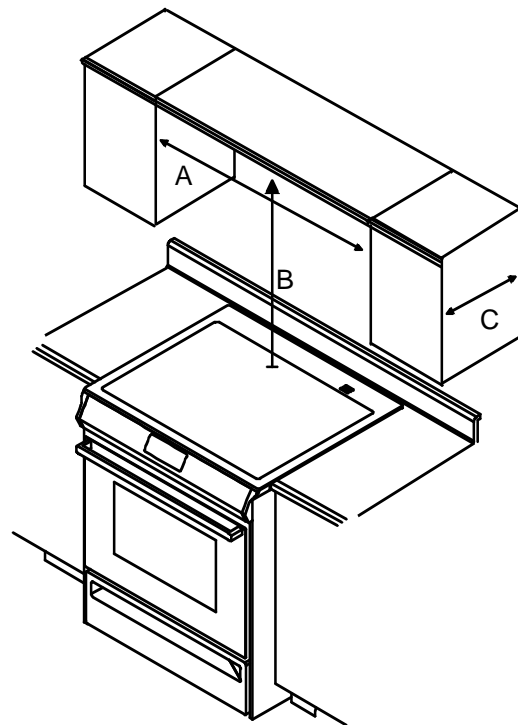
Irregular Cabinet and Countertop Heights

Countertops such as ceramic tile tops can cause cabinet and countertop to be higher than 36 inches. Follow instructions below when countertop is higher than 36 inches.

1. Raise leveling legs to maximum level.
2. Measure from floor to range top. If measurement is less than height of countertop floor must be shimmed.
3. Shim floor using a piece of plywood same size as range opening. Secure plywood to floor. Plywood must be as secure as original flooring.
4. Install anti-tip bracket and slide range into place.
 - See "Anti-tip Bracket Installation" section.

Minimum Clearances to Combustible Surfaces

- Minimum clearance to rear wall is 0 inches.
- Minimum clearance to a vertical right or left side wall is 0 inches.
- Minimum clearance to counter top/cabinet on each side is 0 inches.
- Minimum of 30 inches between top of cooking surface and bottom of an unprotected wood or metal cabinet.
- 24 inches between cooking surface and protected wood or metal cabinet above range. Cabinet bottom must be protected by at least 1/4 inch thick millboard with not less than No. 28 MSG sheet steel, .015 inch thick stainless steel, .024 inch thick copper.



A—30 inches minimum
 B—30 inches unprotected/24 inches protected minimum
 C—13 inches maximum

Minimum Clearances to Combustible Surfaces

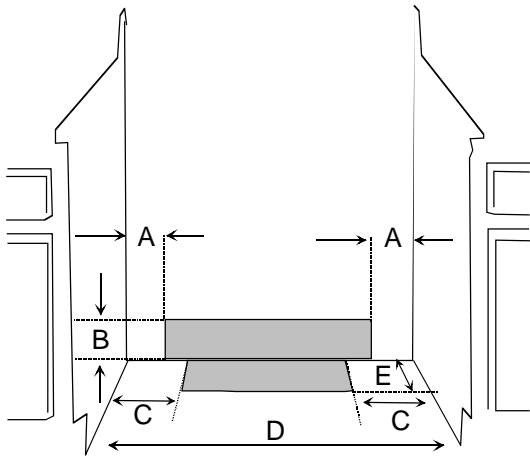
Line Voltage Requirements

Line voltage must not exceed rated voltage. Line voltage less than rated voltage will result in slow heating. Wiring system must conform to Underwriters Laboratories, Inc. standards and National Electrical Code. Installation must conform to all local, municipal and state building codes, and local utility regulations. Range must be connected only to a supply circuit as specified on range name plate.

This range requires 3 wires, 120/240 Volts, 60 Hertz A.C. See rating plate attached to range for kilowatt rating. House wiring and fusing must comply with local wiring codes. If no codes apply, wire according to National Electrical Codes.

Power Supply Location

Shaded areas show range clearance for electrical connection.



- A—3 inches
- B—6 inches
- C—6 inches
- D—30¹/₈ inches minimum
- E—3 inches

Power Supply Location

Power Cord Requirements

Power Cord is not supplied with range. Power cord must be U.L. Listed and meet NEC and Mobile Home Manufacturers Association Standards. Cord must be rated at a minimum 250V 40AMP, equipped with a plug configuration in accordance with NEMA and conductors must end with closed loop (ring) terminals at the range.

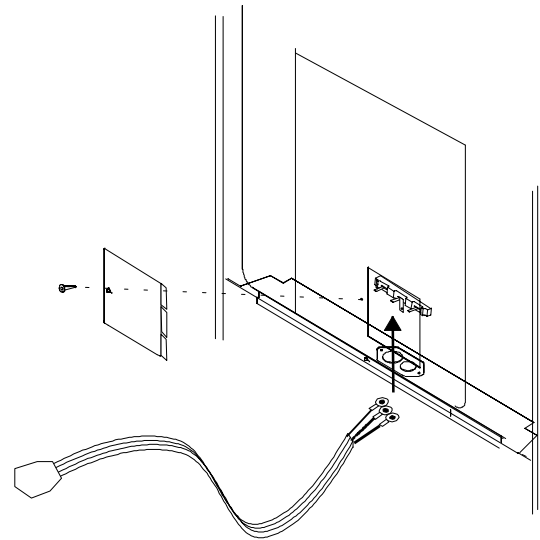
- Three conductor cord plug NEMA 10-50P allowed for residential.
- Four conductor cord plug NEMA 14-50P required for most mobile home installations but can be used for residential.

Range has been grounded at the factory to the center (nickel plated) terminal of the terminal block in accordance with the National Electrical Code (section 2560). When a separate ground is required by local code, disconnect the grounding strap from the terminal block. Ground frame by connecting a grounding wire to range frame using **only** the grounding screw removed from the grounding strap.

NOTE: Only a power cord suitable for use with ranges may be used. For installation in a mobile home, or area where local codes do not permit grounding through the neutral terminal, a 4-wire cord must be used.

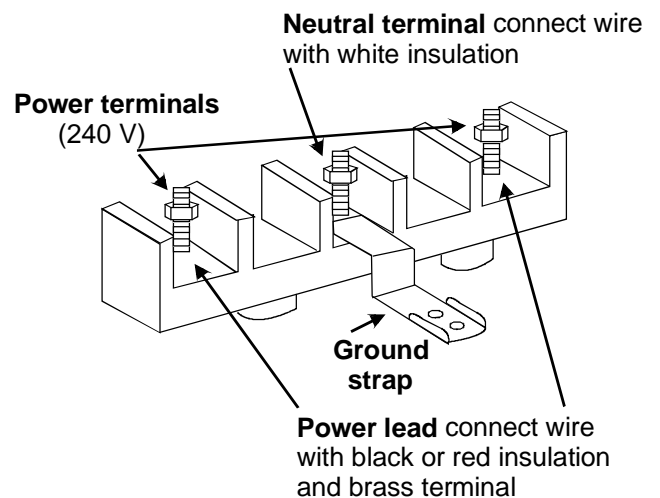
Range Terminal Block

Connection block is located at bottom rear of range behind rear cover panel. Remove rear cover screw. Directly below terminal block is a hole for a power supply service cord. Power cord is not supplied with range.



Installing Power Cord

Range has been grounded at the factory to the center (nickel plated) terminal of the terminal block in accordance with the National Electrical Code (section 2560). When a separate ground is required by local code, disconnect the grounding strap from the terminal block. Ground frame by connecting a grounding wire to range frame using **only** the grounding screw removed from the grounding strap.



Range Terminal Block

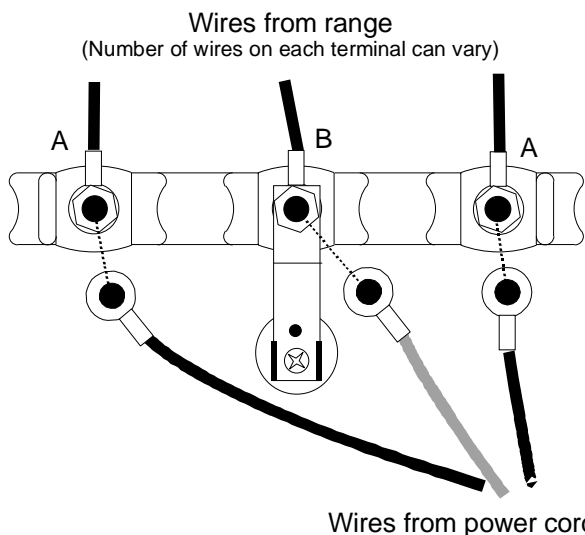
Terminal block is approved for copper wire connection only, NOT aluminum wiring. If aluminum house wiring is to be connected, the following procedure is suggested.

1. Connect length of copper building wire to range terminal block with ring terminals.
2. Splice copper wires to aluminum wiring using connectors which are designed certified by Underwriter's Laboratories and recognized for joining copper to aluminum. Follow the connector manufacturer's recommended procedure.
3. Wire used, location and enclosure of splices must conform to local codes.

Installing 3-Wire Power Cord

Refer to power cord instructions, if available, for additional information.

1. Remove rear wire cover on rear of range.
2. Place strain relief (winged clamp) in cord access hole below terminal block.
 - Strain relief is supplied with cord. Place wings through hole, entering from bottom. Screw holes in clamp should be below mounting panel. Place cord through strain relief.
3. Attach neutral (center) or white wire to center terminal on terminal block.
4. Attach power lead, red wire or black wire to left side power terminal.
5. Attach power lead, red wire or black wire to the right side power terminal.
6. After wires have been placed on terminals, attach with hex nuts provided.
 - Firmly tighten to ensure proper electrical connection.
7. Place screw through strain relief and tighten.
8. Replace rear wire cover.



- A—Power lead terminal (Connect black or red insulated wire and secure with brass nut.)
- B—Neutral terminal (Connect white insulated wire and secure with brass nut.)

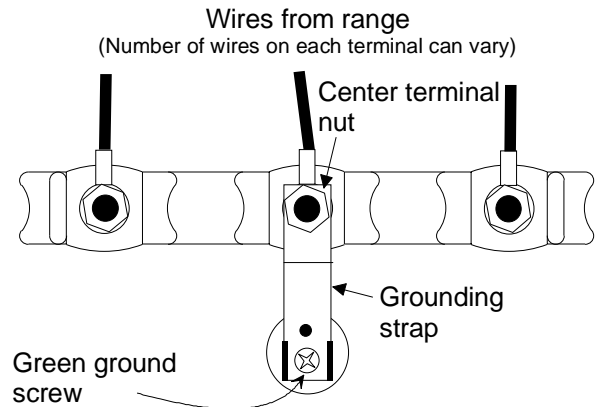
Installing 4-Wire Power Cord



WARNING

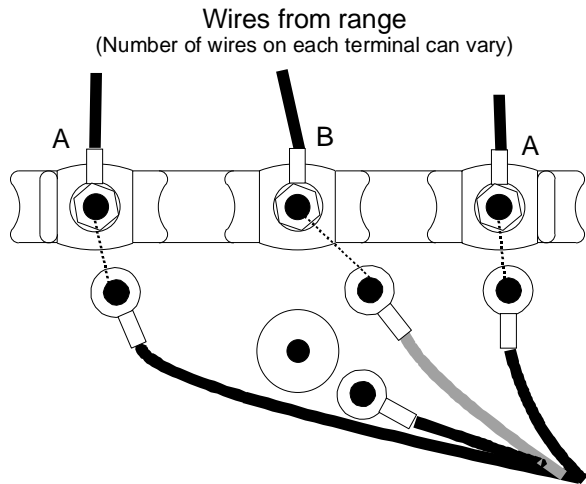
To avoid the risk of severe electrical shock or death, ground wire must be attached to frame of range, using ground screw provided. Ground wire must not contact any other terminal.

1. Remove rear wire cover on back of range.
2. Place strain relief (winged clamp) in cord access hole below terminal block.
 - Strain relief is supplied with cord. Place wings through hole entering from bottom.
 - Screw holes in clamp should be below mounting panel.
3. Remove green ground screw (retain for use in step 8) and unscrew brass nut on center terminal. Remove grounding strap.



Terminal Block Grounding Strap, Screw and Center Nut

4. Place cord through strain relief.
5. Attach cord neutral (center) or white wire to center terminal on terminal block. Secure with hex nuts provided.
6. Attach power lead, red wire or black wire to left terminal. Secure with hex nuts provided.
7. Attach power lead, red wire or black wire to right terminal. Secure with hex nuts provided.

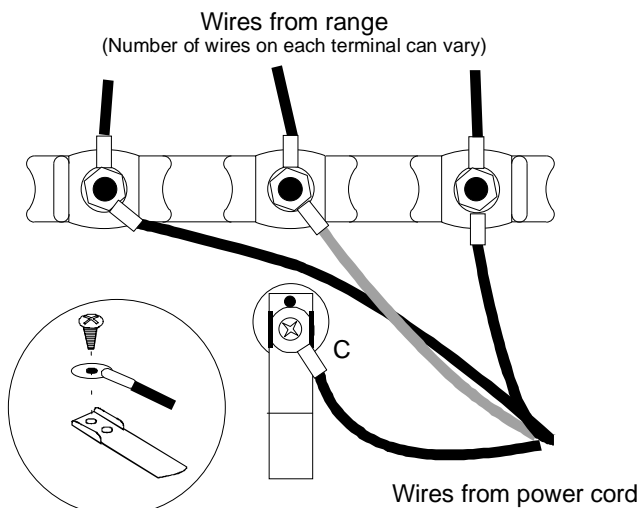


Wires from range
(Number of wires on each terminal can vary)

A—Power lead terminal (Connect black or red insulated wire and secure with brass nut.)
B—Neutral terminal (Connect white insulated wire and secure with brass nut.)

Installing 4-Wire Power Cord

- Position grounding strap down and away from terminal block. Attach green or bare wire and grounding strap to back of range using green ground screw previously removed in step 3.



Wires from range
(Number of wires on each terminal can vary)

C—Ground screw (Connect green insulated wire and secure with screw.)

Position Grounding Strap

- Firmly tighten all connections to ensure proper electrical connection.
- Place screw through strain relief, tighten, and replace rear wire cover.

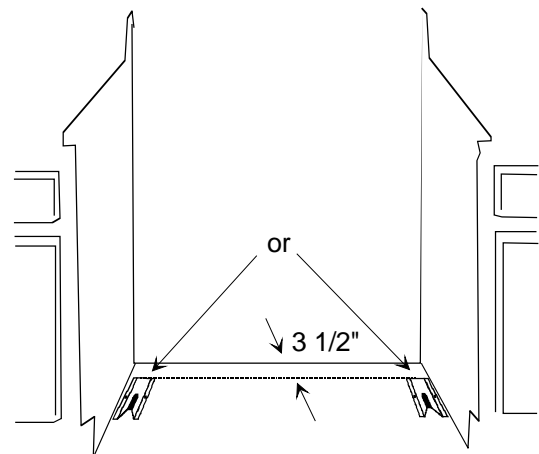
Converting 3-Wire to 4-Wire Power Cord

- Remove rear wire cover.
- Remove bottom strain relief screw and retain for future use.
- Remove screw/hex nuts from terminal block and retain for further use.
- Remove all 3-wire or cable leads from the terminal block and proceed to remove the power cord from the range by pulling in a downward motion so the cord is removed from strain relief.
- To install the 4-wire cord, please follow step 3 through step 9 of *Installing 4-Wire Power Cord* section.

Anti-tip Bracket Installation

To reduce risk of range tipping, secure range with a properly installed anti-tip bracket.

- Measure 3½ inches from back wall on right and left side of cabinet cutout. Mark measurements on floor and draw a straight line connecting marks.
- Position anti-tip bracket.
 - If range is installed beside cabinet(s), place anti-tip bracket with back edge on line drawn on floor and side of bracket against cabinet.
 - If range is not installed beside cabinet(s), position range where it will be installed. Draw a line along side of range on floor from front to back. Remove range. Place anti-tip bracket with back edge over line drawn 3½ inches from back wall and side of bracket over line drawn along side of range on floor.
 - Anti-tip bracket can be installed on either right or left side.



Anti-tip Bracket Installation

- Mark 2 hole locations in anti-tip bracket.
- Drill 2 holes.
 - If drilling into wood, use a 3/32-inch drill bit.
 - If drilling into concrete, use a 3/16-inch masonry drill bit and insert plastic anchors.

Operation

- Secure bracket to floor using screws supplied. Slide range into position.
- Remove range storage drawer or lower panel and confirm anti-tip bracket is engaged with range leveling leg after sliding range into position.

Place and Level Range

CAUTION

To avoid damaging oven door, do not lift or move range by oven door handle. Glass can break.

Carefully level range using legs provided. Range must be level to cook and bake uniformly.

- Place a level on top oven rack or on top of range when leveling.
- Leveling legs must be extended a minimum of $\frac{1}{4}$ inch to engage anti-tip bracket.
 - Extend leveling legs so when range is moved into position rangetop clears counter top.
 - Slide range to where it will be installed.
 - Position range so that rear leveling legs do not engage anti-tip bracket.
 - Turn leveling legs to level range.
 - Turn legs clockwise to decrease range height or counter clockwise to increase range height.
 - Adjust rear leveling leg that engages anti-tip bracket first. Leveling leg can not be adjusted while in bracket. After adjusting leg that engages anti-tip bracket, slide range forward until leg engages bracket and adjust other legs.
 - Replace storage drawer.

Removal and Reinstallation of Range

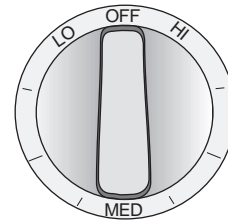
- Disconnect power to range.
- Slide range forward.
- Unplug range cord and place range aside.
- Remove anti-tip bracket.
- Install anti-tip bracket into new location using instructions provided with bracket or see "Anti-tip Bracket Installation" section in this manual.
- To reinstall range, follow instructions in "Installation" section of this manual.

Operating Surface Elements

WARNING

To avoid risk of serious personal injury, property damage, or fire, do not leave surface elements unattended while in operation. Grease and spillovers can ignite causing a fire.

- Push in and turn surface element control knob to desired setting.
 - Ranges with coil elements have two indicator lights, one for elements on right side and one for elements on left side of range. When either front or rear element is on, corresponding indicator light glows.
 - Ranges with smoothtops have four hot indicator lights, one located above each knob. Hot indicator lights will glow red when the corresponding element is turned on. Light will remain on until surface element has cooled to a safe temperature. Element cycles on and off to maintain desired heat setting.
- When finished cooking, turn control to *OFF* position.



Surface Element Control Knob

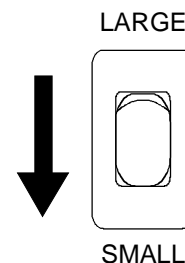
Dual Radiant Element

Dual Element can be operated using inner element only or both elements.

To use inner element:

- Depress *Element Size* switch downward.

ELEMENT SIZE

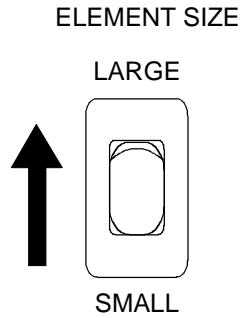


Using Inner Element Only

2. Push in and turn surface element control to desired setting.
 - Element will cycle on and off to maintain desired heat setting.
3. When finished cooking turn control to *OFF* position.

To use both inner and outer element

1. Depress *Element Size* switch upward.



Using Both Inner and Outer Element

2. Follow steps 2-3 above.

Surface Element Settings

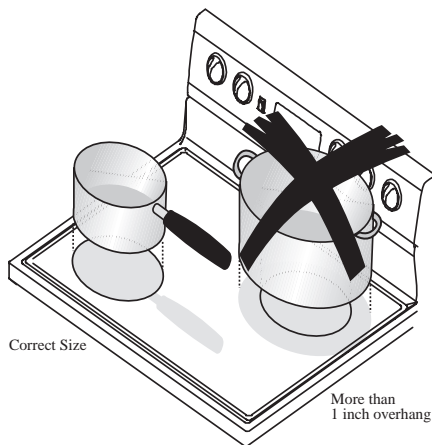
LO—Use to prepare food at less than boiling temperatures or to simmer.

MED—Use to maintain boiling of larger amounts of food, low temperature frying and to maintain correct pressure in a pressure cooker.

HI—Use to bring food to boiling temperatures. When food is boiling temperature setting should be reduced to LO through MED.

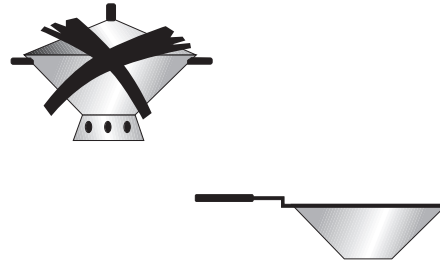
Cooking Utensils

- Use proper pan size. Do not use a pan that has a bottom smaller than element. Do not use utensils that overhang element by more than 1 inch.



Use Proper Pan Size

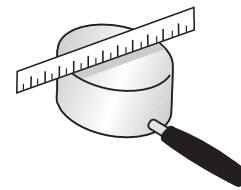
- Use care when using glazed cooking utensils. Some glass, earthenware, or other glazed utensils break due to sudden temperature changes.
- Select utensils without broken or loose handles. Handles should not be heavy enough to tilt pan.
- Do not use a wok with a ring stand. Use flat bottom wok.



Use Flat Wok

For best cooking results, use a pan with a flat bottom. Determine if pan has a flat bottom.

1. Rotate a ruler along bottom of pan. If pan is not flat, gaps between bottom of pan and edge of ruler occur.
2. A small groove or mark on a pan does not affect cooking times. However, if a pan has a gap, formed rings, or an uneven bottom, it does not cook efficiently and in some cases may not boil liquid.



Use Flat Bottom Pans

Utensil Material Characteristic

Type	Temperature Response	Uses
Aluminum	Heats and cools quickly	Frying, braising, roasting
Cast Iron	Heats and cools slowly	Low heat cooking, frying
Copper Tin Lined	Heats and cools quickly	Gourmet cooking, wine sauces, egg dishes
Enamelware	Depends on base metal	Low heat cooking
Ceramic (Glass)	Heats and cools slowly	Low heat cooking
Stainless Steel	Heats and cools at moderate rate	Soups, sauces, vegetables, general cooking

Electronic Oven Control



Electronic Oven Control

Pad	Description
OVEN CANCEL	Cancels any cooking or cleaning function except timer.
TIMER ON/OFF	Use to time any kitchen function or cancel timer. Does not control bake, broil, or clean function.
CLOCK	Use to set time of day.
STOP TIME	Use to set delayed bake and self-clean.
COOK TIME	Use to set timed baking.
CLEAN	Use to select self-clean cycle.
BROIL	Use to select broil.
BAKE	Use to select bake.
▼ or ▲	Use to set temperature or time.

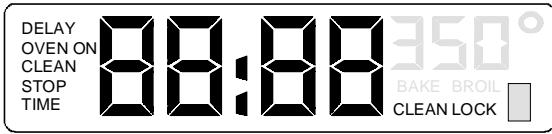
Oven Signals

Timer signal	When time elapses, timer beeps 3 times then approximately once every 6-8 seconds until TIMER ON/OFF pad is pressed.
Preheat signal	After setting oven to bake and selecting a temperature, oven preheats. When oven reaches set temperature, 1-second signal sounds.
End-of-Cycle signal	When a timed cooking cycle is complete, three long signals sound. Then, oven sounds one signal every 6-8 seconds for 5 minutes or until OVEN CANCEL pad is pressed. If minute timer end of cycle signal is sounding, push TIMER ON/OFF pad.

Oven Switches

Oven Light Switch (Not Shown)	Oven light turns on when oven door is opened or when switch on control panel is turned on.
----------------------------------	--

Display



Displays time-of-day, timer, and timed or delayed bake and self-clean settings.



Displays temperature and cooking method for oven.

Display Glossary

TIME	TIME displays while time-of-day, timed or delayed baking, or delayed self-cleaning is set.
BAKE	BAKE displays while bake is set and used.
ON	Displays when oven is heating.
DELAY	Displays when delayed bake or clean self-cycle is set. Oven is not heating.
STOP	Displays when setting the stop time for a delayed baking or self-clean cycle.
BROIL	Displays when a broil is set and used.
CLEAN	Displays when self-clean cycle is set and used.
LOCK	LOCK flashes while oven door is locking and remains in display while door is locked. After cycle is complete and oven has cooled to a safe temperature, LOCK no longer displays and door can be opened.

Other Features

12-hour automatic cancel	This safety feature prevents oven from continuing to operate if it has been left on for over 12 hours. If a cooking function continues longer than 12 hours without any options on oven control being touched, this feature turns oven off. Any time an option is touched, 12-hour automatic cancel is reset.
Child lockout	This safety feature is used to prevent children from accidentally programming oven by disabling electronic oven control. Press and hold BAKE and COOK TIME for 5 seconds. "OFF" displays where the temperature normally appears. To reactivate control, press and hold BAKE and COOK TIME pads for 5 seconds on the upper oven control. Child lockout must be reset after a power failure.
Service codes and tones	Electronic oven control is equipped with a self diagnostic system. Self diagnostic system alerts you if there is a error or problem in the control. If electronic range control sounds a series of short, rapid beeps for over 16 seconds and display shows a F-code, record the F-code shown. Some F-codes can be cleared by touching OVEN CANCEL or disconnecting power to the range. If the code continues to reoccur, disconnect electrical supply and contact an authorized servicer. F1—Control malfunction F2—High oven temperature F3—Temperature sensor malfunction F4—Temperature sensor malfunction F7—Touch pad malfunction F9—Door lock malfunction (Door unlocked) FF—Door lock malfunction (Door locked)

Setting Clock

1. Press CLOCK pad.
 - "TIME" displays.
2. Press ▲ or ▼ pad until correct time of day displays.
3. Press OVEN CANCEL pad to set time.
 - If OVEN CANCEL pad is not pressed, approximately 30 seconds after last entry, "TIME" disappears and time is set.

Setting Minute Timer

1. Press TIMER ON/OFF pad.
 - "TIMER" displays.
2. Press ▲ or ▼ pad until desired amount of time is displayed.
 - Timer can be set from 5 seconds to 9 hours and 50 minutes.
 - Timer begins counting down automatically.
3. When time elapses timer beeps 3 times then approximately once every 6-8 seconds.
 - Press TIMER ON/OFF to cancel beep but remain in timer mode.

Canceling Minute Timer

Press and hold the TIMER ON/OFF pad for approximately 3 seconds.

- When canceling minute timer do not press OVEN CANCEL pad. Pressing OVEN CANCEL pad cancels cooking function.

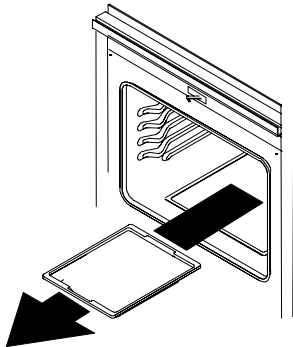
Prepare for Bake, Timed Bake, and Delayed Bake

CAUTION

To reduce risk of food poisoning due to bacterial growth and production of toxins, never hold meat, milk, fish or eggs for more than 2 hours before cooking.

Remove Items Stored in Oven

Remove pans and other cooking utensils stored in oven.



Remove Items Stored in Oven

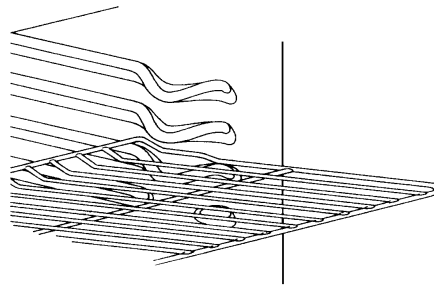
Oven Rack Placement

Position oven rack before turning oven on.

WARNING

To avoid damaging oven liner or creating fire, do not line oven bottom or oven racks with foil.

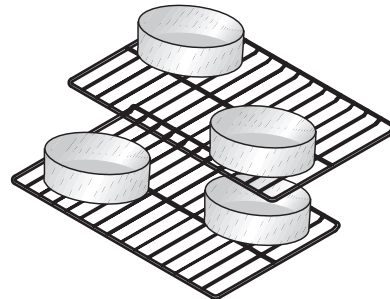
1. Pull rack forward to stop position.
2. Raise front edge of rack and pull until rack is out of oven.
3. Place rack in new rack position.
 - Curved edge of rack must be toward rear of oven.



Oven Rack Placement

Pan Placement

- Keep pans and baking sheets 2 inches from oven walls.
- Stagger pans placed on different racks so one is not directly over the other.



Pan Placement

Baking

Open oven door to confirm nothing is stored in oven cavity and set racks to proper height before baking. Preheat approximately 15-20 minutes before placing delicate foods inside oven.

1. Press **BAKE** pad.
 - “BAKE” and “---°” display.
2. Press **▲** or **▼** pad until desired temperature is displayed.
 - Temperature begins at 350°F and can be set from 170°F to 550°F in 5 degree increments.
 - Temperature starts at 100°F and increases in 5° increments until reaching set temperature. Some minor smoking is normal when using oven for first time. When cook temperature is reached oven signal sounds for approximately 1 second.
3. Press **OVEN CANCEL** pad when finished.
 - Remove food from oven when cooking time has elapsed. Food left in oven can overcook.

Timed Baking

Set oven to cook for desired amount of time. Oven automatically stops heating after time elapses.


1. Place food in oven.
2. Press **COOK TIME** pad.
 - “OVEN”, “TIME”, and “HR” display.
3. Press **▲** or **▼** pad until cooking time is displayed.
 - Cook time can be set from 10 minutes up to 11 hours and 55 minutes.
 - If cook time is entered and temperature not entered “BAKE” and “---°” flashes and signals.
4. Press **BAKE** pad.
 - “BAKE” and “---°” displays.
5. Press **▲** or **▼** pad until desired temperature is displayed.
 - Temperature begins at 350°F and can be set from 170°F to 550°F in 5° increments.
 - Temperature display increases in 5°F increments starting at 100°F until reaching set temperature. Some minor smoking is normal when using oven for first time. When cook temperature is reached oven signals.
 - To view cook time, press **COOK TIME** pad.
 - When cooking time has elapsed, an end of cycle signal sounds, oven automatically turns off and display returns to time of day. Oven signal sounds 3 times, then once every 6-8 seconds for 5 minutes or until **OVEN CANCEL** pad is pressed.
6. Press **OVEN CANCEL** pad when finished.
 - Remove food from oven when cooking time has elapsed. Food left in oven can overcook.

To Cancel Remaining Cooking Time

Press **OVEN CANCEL** pad.

Delayed Baking

Set oven to begin and end baking at later time. Range control automatically calculates starting time.

1. Place food in oven.
2. Press **BAKE** pad.
3. Press **▲** or **▼** pad until desired temperature is displayed.
 - Temperature begins at 350°F and can be set from 170°F to 550°F in 5° increments.
4. Press **STOP TIME** pad.
 - Current time of day appears in display.
5. Press **▲** or **▼** pad until desired stop time displays.
 - Stop time can be set 11 hours 55 minutes ahead of current time of day.
6. Press **COOK TIME** pad.
 - To view cook time later, press **COOK TIME** pad.
7. Press **▲** or **▼** pad until desired time cooking displays.
 - 10 minutes minimum cooking time.
 - Electronic range control calculates start time.
 - When start time is reached “DELAY” no longer displays and “” displays.
 - To view cook time, press **COOK TIME** pad.
 - To view stop time, press and hold **STOP TIME** pad.
 - When cooking time has elapsed, end of cycle signal sounds, oven automatically turns off and display returns to time of day. Oven signal sounds 3 times, then once every 6-8 seconds for 5 minutes or until **OVEN CANCEL** pad is pressed.

To Cancel Remaining Cooking Time

Press **OVEN CANCEL** pad.

Adjusting Oven Temperature

Oven temperature has been factory calibrated and tested. In unlikely event that oven consistently overcooks or undercooks food, make following adjustment.

1. Push **BAKE** pad.
2. Push **▲** or **▼** until an oven temperature greater than 500°F displays.
3. Immediately push and hold **BAKE** pad until “00” displays, approximately 5 seconds.
4. To decrease oven temperature (for a cooler oven), Push **▲** or **▼** until negative numbers appear. Oven can be adjusted from -05° to -35° lower. To avoid over adjusting oven move temperature -5° each time.
5. To increase oven temperature (for a warmer oven), Push **▲** or **▼** until positive numbers appear. Oven can be adjusted from 5° to 35° higher. To avoid over adjusting oven move temperature 5° each time.
6. Push **OVEN CANCEL** button. Temperature adjustment will be retained even through a power failure.

Broiling

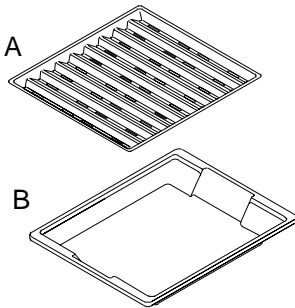
WARNING

To avoid risk of fire, do not line the broiler grid with foil.

- Foil may trap grease on top of grid close to burner causing a fire.
- Never leave oven unattended while broiling. Overcooking may result in a fire.


Broiling Tips

- Remove excess fat from meat before broiling. Cut edges of meat to prevent curling.
 - Place food on a cold ungreased broiling pan. If pan is hot, food sticks.
 - All food except fish should be turned at least one time. Begin broiling with skin side down.
 - Season meat after it has browned.
 - Broiling does not require preheating.
 - Begin cooking using suggested rack levels in *Broiling Guide* section to test broiler results. If food is not brown enough, cook on a higher rack position. If food is too brown, cook on a lower rack position.
1. Center food on broiling grid and pan, and place in oven.
 - Open oven door to first stop when broiling.



A—Broiler Grid
B—Broiler Pan

Broiler Pan and Grid

2. Press BROIL pad.
 - “BROIL” and “---” displays.
3. Press ▲ or ▼ to set from HI to settings 5 thru 1.
 - Oven begins to broil within 5 seconds. “BROIL”, “

Broiler Setting	Use
HI	Cooking red meats
5	Cooking pork
4	Cooking poultry
3	Cooking seafood
2	Cooking fruits and vegetables
1	Toasting breads

Prepare for Self-clean and Delayed Self-clean Cycle

WARNING

To avoid risk of personal injury, do not touch oven vents or areas around vents during self-cleaning. These areas can become hot enough to cause burns.

To avoid risk of smoke damage or fire, clean excess spills from oven interior.


CAUTION

To avoid fire or smoke damage, remove any flammable materials from storage drawer. Items like plastic containers and paper manuals can melt or burn.

- A small amount of smoke is normal when cleaning. Excess smoke may indicate a faulty gasket or too much food residue has been left in oven. Move birds and small animals susceptible to fumes or smoke to another room.
- Oven should be cleaned before it gets too dirty. Wipe up large spills before self-cleaning.
- Do not use cleaning cycle if oven light cover is not properly in place.
- Remove oven racks and all cooking utensils from oven.
- Clean excess spills from oven interior.
- Remove items from rangetop and backguard. These areas can become hot during self-cleaning cycle.

Self-cleaning

Self-clean feature uses high oven temperature to clean oven interior.

1. Prepare oven for self-cleaning.
2. Press CLEAN pad.
 - “CLEAN”, “TIME”, and “———” display.
3. Press ▲ or ▼ pad to adjust cleaning time.
 - “3:00” displays when ▲ or ▼ is pressed.
 - Increase or decrease cleaning time by 5 minute increments.
 - Clean can be set from 2 to 4 hours. Minimum recommended cleaning time is 3 hours.
 - Oven begins to clean at calculated time. “CLEAN”, “TIME” and “” lights. “LOCK” flashes in display when automatic door latch is locking.
4. Press OVEN CANCEL pad when finished.
 - When oven has cooled to a safe temperature, door latch opens and “LOCK” light flashes while opening. When oven has cooled enough to open door “LOCK” light no longer displays and door can be opened.

Interrupt Self-Clean Cycle

1. Press OVEN CANCEL pad.
2. When oven has cooled to a safe temperature, door will unlock and can be opened.

Delayed Self-clean Cycle

Self-clean feature uses high oven temperature to clean oven interior. Set oven to begin and end cleaning at later time using. Range control calculates back from end time to determine starting time.

1. Prepare oven for self-cleaning.
2. Press CLEAN pad.
 - “CLEAN”, “TIME”, and “———” display.
3. Press ▲ or ▼ pad until desired amount of cleaning time is displayed.
 - “3:00” displays when ▲ or ▼ is pressed.
 - Increase or decrease cleaning time in 5 minute increments.
 - Clean can be set from 2 to 4 hours. Minimum recommended cleaning time is 3 hours.
4. Press STOP TIME pad.
5. Press ▲ or ▼ pad until desired stopping time appears in display.
 - Starting time is automatically calculated based on amount of cleaning time and stop time.
 - “DELAY”, “CLEAN”, “STOP”, “TIME”, “CLEAN”, and “LOCK” display. “LOCK” flashes in display when automatic door latch is locking.
 - To view remaining cleaning time, press and hold CLEAN pad.
 - To view calculated stop time, press and hold STOP TIME pad.
6. Press OVEN CANCEL pad when finished.
 - When oven has cooled to a safe temperature, door latch opens and “LOCK” light flashes. When oven has cooled enough to open door “LOCK” light no longer displays and door can be opened.

Interrupt Delayed Self-clean Cycle

1. Press OVEN CANCEL pad.
2. When oven has cooled to a safe temperature, door will unlock and can be opened.

Cooking Guide

Baking Guide

Follow these recommendations only as a guide for times and temperatures. Times, rack position, and temperatures may vary depending on conditions and food type. For best results, always check food at minimum time.

Food	Oven Temperature (°Fahrenheit)	Cooking Time (Minutes)
Angel Food Cake	350	28–50
Biscuits	350–375	8–16
Muffins	375–400	17–23
Cookies	325–350	7–18
Cupcakes	325–375	15–20
Brownies	325–350	25–35
Layer Cakes	325–350	20–30
Pound Cake	325	40–60
Fresh Pies	375–425	35–50
Nut Bread	350	45–55

Poultry Roasting Guide

Follow these recommendations only as a guide for times and temperatures. Times, rack position, and temperatures may vary depending on conditions and food type. For best results, always check food at minimum time.

Food	Oven temperature (°Fahrenheit)	Cooking time (Hours)
Whole Chicken (4 lbs to 5 lbs)	375	1½–1¾
Whole Chicken (Over 5 lbs)	375	1¾–2
Turkey (6 lbs to 8 lbs)	325	3½–4
Turkey (8 lbs to 12 lbs)	325	4–4½
Turkey (12 lbs to 16 lbs)	325	5½
Turkey (16 lbs to 20 lbs)	325	5½–7
Turkey (20 lbs to 22 lbs)	325	7–8½
Duck (3 lbs to 5 lbs)	325	1½–2

Beef and Pork Roasting Guide

Follow these recommendations only as a guide for times and temperatures. Times, rack position, and temperatures may vary depending on conditions and food type. For best results, always check food at minimum time.

Food	Oven Temperature (°Fahrenheit)	Cooking time (Minutes per pound)
Beef Roast (Rare)	325	20–25
Beef Roast (Medium)	325	26–30
Beef Roast (Well)	325	33–35
Rolled Roast (Rare)	325	32–36
Rolled Roast (Medium)	325	36–40
Rolled Roast (Well)	325	43–45
Fresh Whole Ham	325	22–28
Pork Loin	325	35–40
Pork Shoulder, Butt	325	40–45
Pork Picnic Shoulder	325	35–40
Mild Cured Ham Picnic, Shoulder	350	30–35

Broiling Guide

Follow these recommendations only as a guide for times and temperatures. Times, rack position, and temperatures may vary depending on conditions and food type. For best results, always check food at minimum time.

Food	Thickness (Doneness)	Rack position (1=Highest 5=Lowest)	Cooking time (Minutes)
Beef Steak	1" (med.)	3	14–16
Beef Steak	1" (well)	3	23
Beef Steak	1½" (med.)	3	23–28
Beef Steak	1½" (well)	3	33
Beef ground	(¾"–1")	4	12–17
Fish Fillets and Steaks		4	15–20
Pork Chops or Steak	1"	3	15–16
Pork Chops or Steak	1½"	3	23–28
Bacon		4	12–17
Ham Slice (pre-cooked)	½"	3	20–25
Ham Slice (pre-cooked)	1"	3	25–30

Care and Cleaning

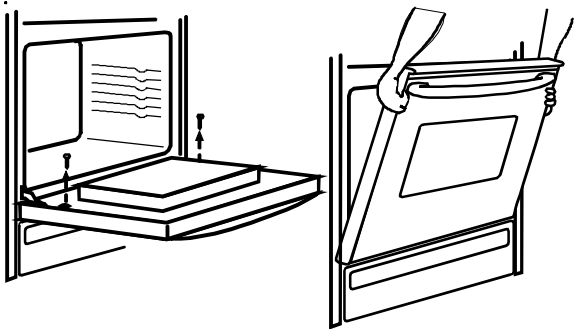
Removing Oven Door

CAUTION

To avoid personal injury or property damage, handle oven door with care.

- Door is heavy and can be damaged if dropped.
- Avoid placing hands in hinge area when door is removed. Hinge can snap closed and pinch hands.
- Do not scratch or chip glass, or twist door. Glass may break suddenly.
- Replace door glass if damaged.
- Do not lift door by handle.

1. Open door fully.
2. Remove screws.
 - Oven doors are attached with a screw on each side of lower oven door.
3. Close door to first stop, grasp door firmly on each side, and lift upward until door is off hinges.
 - Do not lift door by handle. Glass can break.
 - Only push hinges closed once oven door is removed if necessary. Use both hands when closing hinge. Hinge snaps closed.



Removing Oven Door

Replacing Oven Light

WARNING

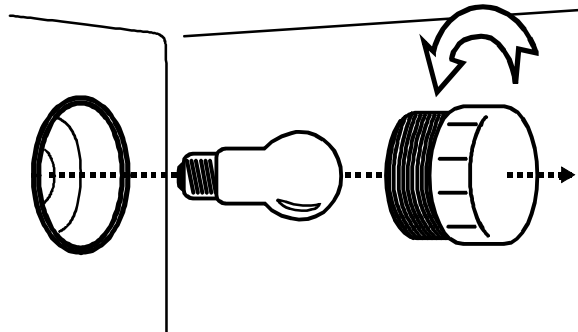
To avoid risk of burns or electrical shock, disconnect electrical supply to oven before changing light bulb.

- Before replacing light bulb make sure bulb is cool.
- Do not operate oven without bulb and cover in place.

CAUTION

Wear gloves to protect hands from accidental bulb breakage.

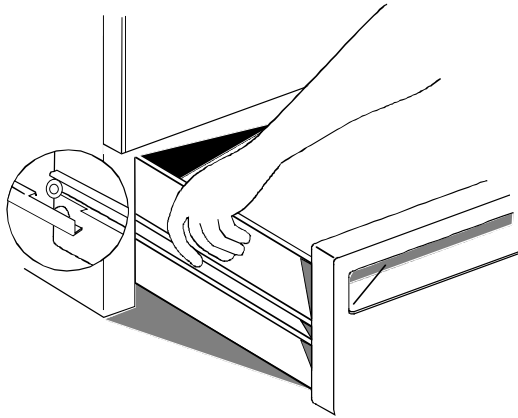
1. Disconnect electrical supply.
2. Remove oven door if desired.
3. Unscrew light bulb cover located in rear of oven cavity. Then turn light bulb counterclockwise to remove.
4. Replace light bulb with 120-volt, 40-watt appliance bulb.
 - Do not overtighten bulb or it may be difficult to remove later.
5. Replace light bulb cover and oven door before use.
6. Reconnect power supply.



Removing Oven Light Bulb

Removing Storage Drawer

1. Slide drawer out until it stops.
2. Grasp drawer sides near back.
3. Lift up and out. Reverse to reinstall.



Removing Storage Drawer

Opening Rangetop

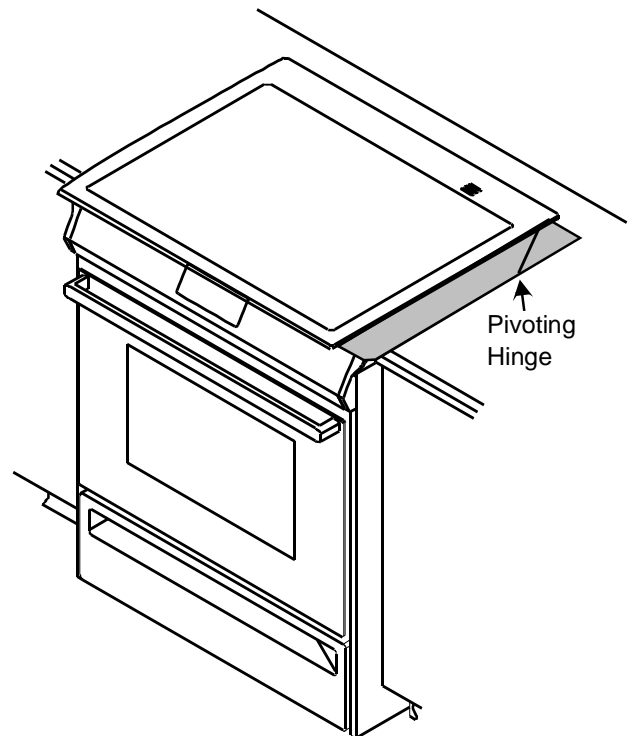
Only range tops with coil elements can be opened. Smoothtop range tops should only be opened by an authorized servicer



WARNING

To avoid risk of electrical shock, disconnect electrical supply to range before cleaning.

1. Grasp front of rangetop and pull up and out.
 - Pivoting hinge lifts rangetop up and out. Then, rangetop can be lifted from the front
 - Countertop and rangetop can be damaged if rangetop is only pushed up and back.
2. Prop rangetop with support located behind control panel.
3. Reverse the opening procedure to close the rangetop.



Opening Rangetop

Cleaning

Part	Materials to Use	General Directions
Bake and broil, element		Do not clean bake element or broil element. Any soil will burn off when element is heated. Bake element is hinged and can be lifted to clean oven bottom.
Broiler pan and grid	Soap and a nonabrasive plastic scouring pad	Drain fat, cool pan and grid slightly. (Do not let soiled pan and grid stand in oven to cool.) Sprinkle with soap. Fill the pan with warm water. Let pan and grid stand for a few minutes. Wash or scour if necessary. Rinse and dry. The broiler pan and grid may also be cleaned in the dishwasher.
Burner bowls	Soap and water	The burner bowls can be removed for ease in cleaning. For extra dried on soil, soak the bowls in warm soapy water.
Coil surface elements		The coil elements do not need to be cleaned. Any food spilled on the element during cooking will burn off. Never immerse coil elements in water.
Control knobs	Mild soap and water	Pull off knobs. Wash gently but do not soak. Dry and return controls to oven, making sure to match flat area on the knob to the flat area on shaft.
Inside oven door	Soap and water	Clean the inside of the door and the window area with warm soapy water. Do not clean the oven door gasket. Gasket should not be moved while cleaning. Avoid getting any cleaning materials on gasket.
Outside finish	Soap and water	Wash with cloth dampened in soapy water. Rinse and polish with a dry cloth. If knobs are removed, do not allow water to run down inside surface while cleaning.
Oven interior surfaces	Soap and water	Cool before cleaning. Frequent wiping with mild soap and water prolongs time between self-cleanings. Be sure to rinse thoroughly.
Oven racks and storage drawer	Soap and water	For heavy soil, clean by hand and rinse thoroughly. Remove the drawer and racks for ease in cleaning. Be sure drawer is dry before replacing.

Cleaning Smoothtop Range Top

Problem	Cause	To Prevent	To Remove
Brown streaks and specks	Cleaning with a sponge or cloth containing soil laden detergent water.	Use smoothtop cleaner conditioner with clean damp paper towel.	Use light application of smoothtop cleaner conditioner with clean damp paper towel.
Blackened, burner-on spots	Spatters or spillovers landing on a hot cooking area or accidental melting of plastic film like a bread bag.	Wipe all spillovers when it is safe to touch cooking surface. Do not place plastic items on warm cooking area.	Clean area with smoothtop cleaner conditioner with clean damp paper towel, nonabrasive nylon pad, or scouring brush. If spot is not removed, allow cooktop to cool and carefully scrape area with a single edge razor blade held at a 30 degree angle.
Fine brown gray lines or fine scratches or abrasions which have collected soil	Course particles, like salt, become embedded in top if trapped under pan. Using abrasive cleaning materials. Scratches from rough ceramic, glass or ceramic coated cookware.	Wipe bottom of cookware before cooking. Clean top daily with smoothtop cleaner conditioner with clean damp paper towel. Do not use ceramic or ceramic coated cookware.	Fine scratches are not removable but can be minimized by daily use of smoothtop cleaner conditioner.
Smearing or streaking	Using too much smoothtop cleaner conditioner or using a soiled dish cloth.	Use small amounts of smoothtop cleaner conditioner. Rinse area thoroughly before drying. Use only clean damp paper towel, nonabrasive nylon pad, or scouring brush.	
Metal or silver/gray marks	Sliding or scrapping metal utensils across top.	Do not slide metal objects across top.	Remove marks before top is used again. After top cools, clean marks with smoothtop cleaner conditioner with clean damp paper towel, nonabrasive nylon pad, or scouring brush. Rinse thoroughly and dry.
Pitting or flaking	Boilovers of sugar syrup on a hot range top can cause pitting if not removed immediately	Watch sugar and syrups carefully to avoid boilovers.	Turn control to "LO" setting. Using several papertowels. Allow cooktop to cool and carefully scrape area with a single edge razor blade held at a 30 degree angle.
Hard water spots	Condensation from cooking can cause minerals found in water and acids in food to drip onto range top and cause gray deposits. Spots are often so thin they appear to be in or under range top.	Make sure bottom of cookware is dry before cooking. Daily use of smoothtop cleaner conditioner helps keep top free of hard water, mineral deposits and food discoloration.	Mix smoothtop cleaner conditioner with water and apply thick paste to stained area. Scrub vigorously. If stain is not removed, reapply cleaner and repeat process. Also try cleaning process of smearing and streaking.

Before Calling Service

Problem	Check
Oven light does not work.	Check for loose bulb. Check for burned out bulb; replace with 40-watt appliance bulb.
Oven does not heat.	Confirm range is plugged in. If both oven and surface elements do not heat, check circuit breaker. Check control for proper setting.
Oven door will not open	Wait for oven to cool. Door latch will release automatically after oven cools. Do not force door open.
Oven temperature is not accurate.	Store purchased oven thermometers do not measure oven temperature accurately. An accurate digital thermometer is necessary to calibrate oven. Check for blocked heat vents. Aluminum foil alters oven temperature. Change oven temperature through oven control. In the unlikely event that the oven consistently overcooks or undercooks food, make the following adjustment. <ol style="list-style-type: none"> 1. Push BAKE pad. 2. Push up or down arrows until an oven temperature greater than 500°F displays. 3. Immediately push and hold BAKE pad until "00" displays, approximately 5 seconds. 4. To decrease oven temperature (for a cooler oven), Push down arrow until negative numbers appear. Oven can be adjusted from -05° to -35° lower. To avoid over adjusting oven move temperature -5° each time. 5. To increase oven temperature (for a warmer oven), Push up arrow until positive numbers appear. Oven can be adjusted from 5° to 35° higher. To avoid over adjusting oven move temperature 5° each time. 6. Push OVEN CANCEL button. Temperature adjustment will be retained even through a power failure.
Oven element cycles on and off.	This condition is normal when baking or roasting. To maintain a temperature for baking, oven cycles on and off. The temperature may vary up to 25°F higher or lower than the oven temperature set on the control.
The oven smokes the first few times it is turned on.	Minor smoking is normal first few times oven is used.
Odor or smoke while self-cleaning the oven.	There may be some smoke and odor during the first few cleaning cycles. If there is excessive smoke or odor, too much soil remains in the bottom of the oven. If the oven smokes excessively, turn off the oven, wait for oven to cool and wipe away excess soil. Reset the clean cycle.
Range top is warm during use .	Normal condition.
Food cooks slowly or will not maintain constant boil.	Improper cookware causes poor cooking results. Pan bottoms must be flat. Pans should be made of heavy material and be same diameter as surface element. See "Cooking Utensils" section.
Coil surface element does not heat.	Check to see if element is not plugged in. If element still does not heat, make sure element control is in "OFF" position, switch same size elements on range top, and try element again. Element may have failed.

Warranty

Amana[®] COOKING PRODUCTS (excluding wall ovens)

FULL ONE YEAR WARRANTY LIMITED SECOND YEAR WARRANTY ON ALL PARTS LIMITED THIRD THRU FIFTH YEAR WARRANTY ON GLASS/CERAMIC TOP, ELECTRIC SURFACE ELEMENTS, OR GAS SURFACE BURNERS

FIRST YEAR

Amana Appliances will repair or replace, including related labor and travel, any part (f.o.b. Amana, Iowa) which proves to be defective as to workmanship or materials.

SECOND YEAR

Amana Appliances will provide replacement part, part only (f.o.b. Amana, Iowa), which proves defective as to workmanship or materials.

THIRD THRU FIFTH YEAR

Amana Appliances will provide replacement glass/ceramic cooktop, part only (f.o.b. Amana, Iowa), which proves defective as to workmanship or materials.

THIRD THRU FIFTH YEAR

Amana Appliances will provide replacement electric surface elements or gas surface burners, part only (f.o.b. Amana, Iowa), which proves defective as to workmanship or materials.

OWNER'S RESPONSIBILITIES:

- Provide any defective part to an authorized Amana servicer.
- Provide proof of purchase.
- Provide normal care and maintenance, including cleaning as instructed in owner's manual.
- Replace owner replaceable items where directions appear in the owner's manual.
- Make product accessible for service.
- Pay for premium service costs for service outside servicer's normal business hours.
- Pay for service calls related to product installation and customer education.
- Pay for servicer's labor and travel expenses under limited warranty provisions.

ITEMS NOT COVERED:

- Normal product maintenance and cleaning.
- Light bulbs.
- Damages which occur in shipment and installation.
- General rebuilding or refurbishing that is not a legitimate warranty repair.
- Failures caused by:
 - Unauthorized service.
 - Grease or other material buildup due to improper cleaning or maintenance.
 - Accidental or intentional damage.
 - Connection to an improper gas or power supply.
 - Acts of God.
 - Use of improper pans, containers, or accessories that cause damage to the product.

WARRANTY LIMITATIONS:

- Begins at date of original purchase.
- Product used on a commercial, rental, or leased basis are not covered by this warranty.
- Applies to product used within the United States or in Canada if product has appropriate agency listing when shipped from the factory.
- Service must be performed by an authorized Amana servicer.
- Adjustments covered during first year only.

WARRANTY IS VOID IF:

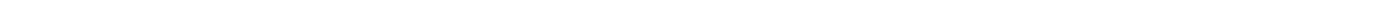
- Serial plate is defaced.
- Product is altered by user.
- Product is not installed or used according to manufacturer's instructions.

IN NO EVENT SHALL AMANA APPLIANCES BE LIABLE FOR INCIDENTAL OR CONSEQUENTIAL DAMAGES*

*This warranty gives you specific legal rights and you may have others which vary from state to state. For example, some states do not allow the exclusion or limitation of incidental or consequential damages so this exclusion may not apply to you.

For answers to questions regarding the above or to locate an authorized Amana[®] servicer, contact:

Amana Appliances
2800 220th Trail
PO Box 8901
Amana, Iowa 52204-0001
USA
1-800-843-0304 inside U.S.A.
1-319-622-5511 outside U.S.A.



Quick Reference Instructions

Read "Important Safety Information" before using "Quick Reference Instructions". If there are unanswered questions, refer to detailed sections of this manual.

Setting Clock

1. Press CLOCK pad.
2. Press ▲ or ▼ pad until correct time of day displays.
3. Press OVEN CANCEL pad to set time.

Setting Minute Timer

1. Press TIMER ON/OFF pad.
2. Press ▲ or ▼ pad until desired amount of time is displayed.
3. When time elapses timer beeps 3 times then approximately once every 6-8 seconds.

Canceling Minute Timer

Press and hold the TIMER ON/OFF pad for approximately 3 seconds.

Baking

1. Press BAKE pad.
2. Press ▲ or ▼ pad until desired temperature is displayed.
3. Press OVEN CANCEL pad when finished.

Timed Baking

1. Place food in oven.
2. Press COOK TIME pad.
3. Press ▲ or ▼ pad until cooking time is displayed.
4. Press BAKE pad.
5. Press ▲ or ▼ pad until desired temperature is displayed.

To Cancel Remaining Cooking Time

Press OVEN CANCEL pad.

Delayed Baking

1. Place food in oven.
2. Press BAKE pad.
3. Press ▲ or ▼ pad until desired temperature is displayed.
4. Press STOP TIME pad.
5. Press ▲ or ▼ pad until desired stop time displays.
6. Press COOK TIME pad.
7. Press ▲ or ▼ pad until desired time cooking displays.

To Cancel Remaining Cooking Time

Press OVEN CANCEL pad.

Adjusting Oven Temperature

1. Push BAKE pad.
2. Push ▲ or ▼ until an oven temperature greater than 500°F displays.
3. Immediately push and hold BAKE pad until "00" displays, approximately 5 seconds.
4. To decrease oven temperature (for a cooler oven), Push ▲ or ▼ until negative numbers appear. Oven can be adjusted from -05° to -35° lower. To avoid over adjusting oven move temperature -5° each time.
5. To increase oven temperature (for a warmer oven), Push ▲ or ▼ until positive numbers appear. Oven can be adjusted from 5° to 35° higher. To avoid over adjusting oven move temperature 5° each time.
6. Push OVEN CANCEL button.

Broiling

1. Center food on broiling grid and pan, and place in oven.
2. Press BROIL pad.
3. Press ▲ or ▼ to set from HI to settings 5 thru 1.

Self-cleaning

1. Prepare oven for self-cleaning.
2. Press CLEAN pad.
3. Press ▲ or ▼ pad to adjust cleaning time.

Interrupt Self-Clean Cycle

1. Press OVEN CANCEL pad.
2. When oven has cooled to a safe temperature, door will unlock and can be opened.

Delayed Self-clean Cycle

1. Prepare oven for self-cleaning.
2. Press CLEAN pad.
3. Press ▲ or ▼ pad until desired amount of cleaning time is displayed.
4. Press STOP TIME pad.
5. Press ▲ or ▼ pad until desired stopping time appears in display.

Interrupt Delayed Self-clean Cycle

1. Press OVEN CANCEL pad.
2. When oven has cooled to a safe temperature, door will unlock and can be opened.